

Downlights

**Material:**

- body: a steel sheet finished by powder technology varnishing
- color: white RAL 9016
- reflector: polished aluminium sheet

Degree of protection: IP 44

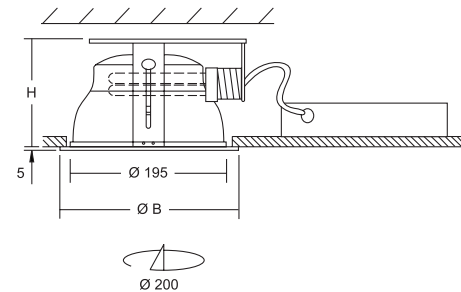
Rated voltage: 230V/50Hz

Control gear: low loss ballast or electronic ballast; the luminaires are offered also in emergency version

Mounting: recessed mounting in panel ceilings with maximum width 18mm

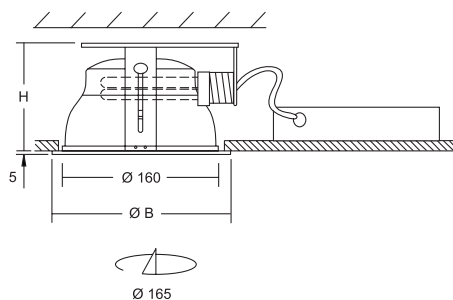
Accessories: opal glass cover (supplied with the luminaire)

Application: restaurants, reception desks, shops, entry halls, hotels, corridors and stairways



Code	Power	Lamp	Cap	ØBxH (mm)	Kg
82-014/113/□	1x13W	compact fl. lamp	G24d(q)-1	220x70	1,6
82-014/118/□	1x18W	compact fl. lamp	G24d(q)-2	220x70	1,6
82-014/126/□	1x26W	compact fl. lamp	G24d(q)-3	220x70	1,7
82-014/213/□	2x13W	compact fl. lamp	G24d(q)-1	220x70	1,9
82-014/218/□	2x18W	compact fl. lamp	G24d(q)-2	220x70	1,9
82-014/226/□	2x26W	compact fl. lamp	G24d(q)-3	220x70	2,1

□ - E (low loss ballast - parallel compensation)
 - C (electronic ballast)



Material:

- body: a steel sheet finished by powder technology varnishing
- color: white RAL 9016
- reflector: polished aluminium sheet

Degree of protection: IP 20

Rated voltage: 230V/50Hz

Control gear: low loss ballast or electronic ballast; the luminaires are offered also in emergency version

Mounting: recessed mounting in panel ceilings with maximum width 40mm

Accessories: (must be ordered separately)

99-839 – turbo louvre

99-833 – cross louvre

Application: restaurants, reception desks, shops, entry halls, hotels, corridors and stairways



99-839



99-833

Code	Power	Lamp	Cap	ØBxH (mm)	Kg
82-024/113/□	1x13W	compact fl. lamp	G24d(q)-1	185x115	1,4
82-024/118/□	1x18W	compact fl. lamp	G24d(q)-2	185x115	1,4
82-024/126/□	1x26W	compact fl. lamp	G24d(q)-3	185x115	1,5
82-024/213/□	2x13W	compact fl. lamp	G24d(q)-1	185x115	1,7
82-024/218/□	2x18W	compact fl. lamp	G24d(q)-2	185x115	1,7

□ - E (low loss ballast - parallel compensation)
 - C (electronic ballast)

Downlights



Material:

- body: a steel sheet finished by powder technology varnishing
- color: white RAL 9016
- reflector: polished aluminium sheet

Degree of protection: IP 20

Rated voltage: 230V/50Hz

Control gear: low loss ballast or electronic ballast; the luminaires are offered also in emergency version

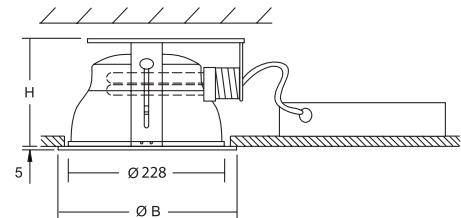
Mounting: recessed mounting in panel ceilings with maximum width 50mm

Accessories: (must be ordered separately)

99-834 - turbo louvre

99-835 - cross louvre

Application: restaurants, reception desks, shops, entry halls, hotels, corridors and stairways



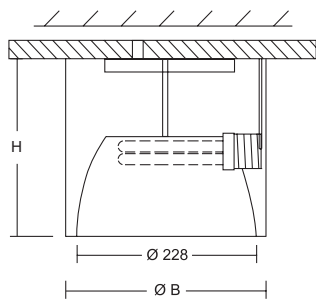
99-834



99-835

Code	Power	Lamp	Cap	ØBxH (mm)	Kg
82-034/118/□	1x18W	compact fl. lamp	G24d(q)-2	255x150	1,8
82-034/126/□	1x26W	compact fl. lamp	G24d(q)-3	255x150	1,9
82-034/132/C	1x32W	compact fl. lamp	G24q-3/4	255x150	1,9
82-034/142/C	1x42W	compact fl. lamp	G24q-3/4	255x150	1,9
82-034/218/□	2x18W	compact fl. lamp	G24d(q)-2	255x150	2,0
82-034/226/□	2x26W	compact fl. lamp	G24d(q)-3	255x150	2,0
82-034/232/C	2x32W	compact fl. lamp	GX24q-3/4	255x150	2,1
82-034/242/C	2x42W	compact fl. lamp	GX24q-3/4	255x150	2,1

□ - E (low loss ballast - parallel compensation)
 - C (electronic ballast)



Material:

- body: a steel sheet finished by powder technology varnishing
- color: white RAL 9016
- reflector: polished aluminium sheet

Degree of protection: IP 20

Rated voltage: 230V/50Hz

Control gear: low loss ballast or electronic ballast; the luminaires are offered also in emergency version

Mounting: built up on ceiling

Accessories: (must be ordered separately)

99-836 – turbo louvre

99-837 – cross louvre

Application: restaurants, reception desks, shops, entry halls, hotels, corridors and stairways



99-836



99-837

Code	Power	Lamp	Cap	ØBxH (mm)	Kg
82-044/118/□	1x18W	compact fl. lamp	G24d(q)-2	255x210	2,1
82-044/126/□	1x26W	compact fl. lamp	G24d(q)-3	255x210	2,2
82-044/132/C	1x32W	compact fl. lamp	G24q-3/4	255x210	2,3
82-044/142/C	1x42W	compact fl. lamp	G24q-3/4	255x210	2,3
82-044/218/□	2x18W	compact fl. lamp	G24d(q)-2	255x210	2,3
82-044/226/□	2x26W	compact fl. lamp	G24d(q)-3	255x210	2,4
82-044/232/C	2x32W	compact fl. lamp	GX24q-3/4	255x210	2,5
82-044/242/C	2x42W	compact fl. lamp	GX24q-3/4	255x210	2,5

□ - E (low loss ballast - parallel compensation)
 - C (electronic ballast)

Downlights with LEDs

**Material:**

- body: a steel sheet finished by powder technology varnishing
- color: white RAL 9003
- diffuser: sanded glass

LED:

- number LEDs: 11
- LED color temperature: 6000K

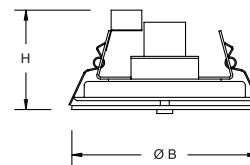
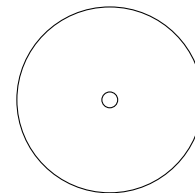
Degree of protection: IP 20

Rated voltage: 230V/50Hz

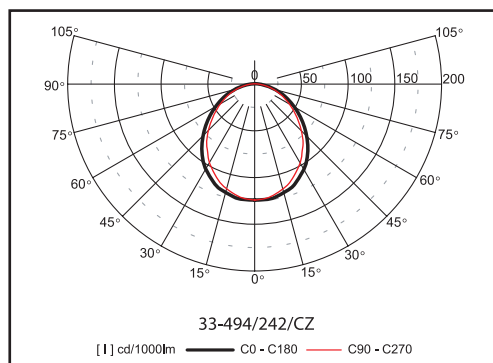
Mounting: recessed mounting in panel ceilings with maximum width 30mm

Accessories: sanded glass (supplied with the luminaire)

Application: restaurants, reception desks



Code	Power	Lamp	LED color temperature	Lumen per watt	Hole cut out (mm)	ØBxH (mm)	Kg
82-959/113/NSP	11x3W	LED	6000K	65lm/W	170	188x101	2,1



Material:

- body: plastic
- color: white RAL 9003
- reflector: polycarbonate, coating with aluminium
- louvre: anti-glare turbo louvre
- cover: clear, opal or semi-matted plastic cover (IP44)

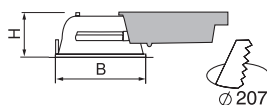
Degree of protection: IP 20/IP 44

Rated voltage: 230V/50Hz

Control gear: low loss ballast or electronic ballast; dimmable ballast by request; the luminaires are offered also in emergency version (in case of power failure one lamp works)

Mounting: recessed mounting in panel ceilings with maximum width 20mm

Application: reception desks, corridors and stairways, entry halls, restaurants



Code	Power	Lamp	Cap	Hole cut out	BxH (mm)	Kg
33-494/113/12	1x13W	compact fl. lamp	G24d(q)-1	Ø 207 mm	230x105	1,0
33-494/118/12	1x18W	compact fl. lamp	G24d(q)-2	Ø 207 mm	230x105	1,1
33-494/126/12	1x26W	compact fl. lamp	G24d(q)-3	Ø 207 mm	230x105	1,3
33-494/132/C2	1x32W	compact fl. lamp	GX24q-3	Ø 207 mm	230x105	1,0
33-494/142/C2	1x42W	compact fl. lamp	GX24q-4	Ø 207 mm	230x105	1,0
33-494/213/12	2x13W	compact fl. lamp	G24d(q)-1	Ø 207 mm	230x105	1,2
33-494/218/12	2x18W	compact fl. lamp	G24d(q)-2	Ø 207 mm	230x105	1,4
33-494/226/12	2x26W	compact fl. lamp	G24d(q)-3	Ø 207 mm	230x105	1,8
33-494/232/C2	2x32W	compact fl. lamp	GX24q-3	Ø 207 mm	230x105	1,0
33-494/242/C2	2x42W	compact fl. lamp	GX24q-4	Ø 207 mm	230x105	1,0

1 - D (low loss ballast, non compensated)
- E (low loss ballast, parallel compensation)
- C (electronic ballast)

2 - (open reflector, without louvre and glass)
- B - anti-glare turbo louvre
- Q - clear plastic cover
- Z - opal plastic cover
- M - semi-matted plastic cover





Industrial luminaires





Leader 21-01, 21-04 94



BS100, BS110 95



Tores 23-01 96



Castor 25-05 97



Lumino 26-91 98



Leo 40-01 99



Aterix 43-05 100



Aterix 43-09 101



Leone 45-00 102



Leone 45-01 103



Leone 45-02 104



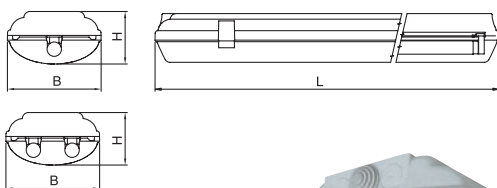
BS 736 105

leader | 21-01, 21-04

Ceiling and suspended industrial luminaires - IP 65

- white steel reflector 21-01

- highly polished aluminium reflector 21-04



Version with narrow-beam reflector



Interconnecting cables:

Set for the luminaire	3x1,5mm ²	3x2,5mm ²	5x1,5mm ²	5x2,5mm ²
18W	99-180	99-181	99-182	99-183
36W	99-184	99-185	99-186	99-187
58W	99-188	99-189	99-190	99-191

Material:

- body: injection molded, self-extinguishing UV stabilized polycarbonate
- color: gray RAL 7035
- reflector: white varnished steel sheet or pure aluminium sheet
- diffuser: polycarbonate

Degree of protection: IP 65

Rated voltage: 230V/50Hz

Control gear: low loss ballast or electronic ballast; dimmable ballast by request

Mounting: separate or in-line mounting on ceilings or walls, suspension on chain pendants

The luminaires are supplied with ceiling holders (2pcs), lifting eyes (2pcs) and a lead-in insulator (1pc).

Accessories: a set of interconnecting cables (must be ordered separately)

Application: cellars, factory halls, storehouses, farms

Code	Reflector	Power	Lamp	Cap	LxBxH (mm)	Kg	Code	Power	Lamp	Cap	LxBxH (mm)	Kg
21-043/218/□Y	polished AL	2x18W	T8 lamp	G13	670x170x95	2,7	21-013/118/□Y	1x18W	T8 lamp	G13	670x170x95	2,0
21-043/236/□Y	polished AL	2x36W	T8 lamp	G13	1280x170x95	3,7	21-013/136/□Y	1x36W	T8 lamp	G13	1280x170x95	3,0
21-043/258/□Y	polished AL	2x58W	T8 lamp	G13	1580x170x95	4,2	21-013/158/□Y	1x58W	T8 lamp	G13	1580x170x95	3,4
21-043/158/□YH	narrow-beam	1x58W	T8 lamp	G13	1580x170x95	3,9	21-013/218/□Y	2x18W	T8 lamp	G13	670x170x95	2,3
21-043/180/CYH	narrow-beam	1x80W	T5 lamp	G5	1580x170x95	3,9	21-013/236/□Y	2x36W	T8 lamp	G13	1280x170x95	3,3
							21-013/258/□Y	2x58W	T8 lamp	G13	1580x170x95	3,8

99-541 - a guard for 18/2x18W luminaires (1pc)

99-542 - a guard for 36/2x36W luminaires (1pc)

99-543 - a guard for 58/2x58W luminaires (1pc)

99-544 - steel fasteners for 18/2x18W luminaires (4pcs)

99-545 - steel fasteners for 36/2x36W luminaires (8pcs)

99-546 - steel fasteners for 58/2x58W luminaires (10pcs)

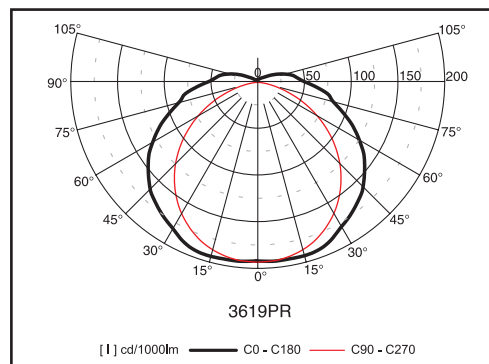
99-547 - wall cantilevers (1pc) - for one luminaire 2pcs needed

□ - E (low loss ballast, parallel compensation)

- C (electronic ballast)

If requested, the Luminaire can be equipped with connector Wieland.

Ceiling and suspended industrial luminaires - IP 66 BS100, BS100 Basic, | leader BS110



Material:

- body: injection molded, self-extinguishing UV stabilized polycarbonate
- color: gray RAL 7035
- reflector: aluminium coated highly polished polycarbonate (BS100, BS110)
white polycarbonate reflector (BS100 Basic)
- diffuser: polycarbonate

Degree of protection: IP 66

Rated voltage: 230V/50Hz

Control gear: electronic ballast, the luminaire are offered also in emergency version

Mounting: separate or in-line mounting on ceilings or walls, suspension on chain pendants

The luminaires are supplied with ceiling holders (2pcs), lifting eyes (2pcs) and a lead-in insulator (1pc).

Accessories: (must be ordered separately)

99-541 - a guard for 18/2x18W luminaires (1pc)

99-542 - a guard for 36/2x36W luminaires (1pc)

99-543 - a guard for 58/2x58W luminaires (1pc)

99-544 - steel fasteners for 18/2x18W luminaires (4pcs)

99-545 - steel fasteners for 36/2x36W luminaires (8pcs)

99-546 - steel fasteners for 58/2x58W luminaires (10pcs)

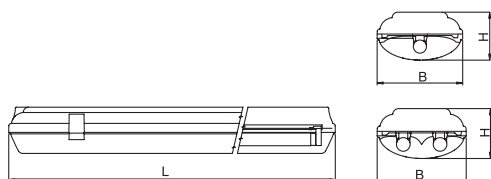
99-547 - wall cantilevers (1pc) - for one luminaire 2pcs needed

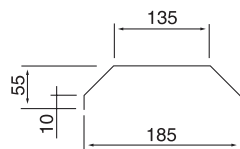
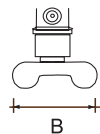
8010 - a set of interconnecting cables for 58W

8012 - a set of interconnecting cables for 36W

Application: washrooms, factory halls, farms, cellars, storehouses

	Code	Power	Lamp	Cap	LxBxH (mm)	Kg
BS100	3616PR	1x18W	T8 lamp	G13	670x170x95	1,5
	3618PR	1x36W	T8 lamp	G13	1280x170x95	2,4
	3620PR	1x58W	T8 lamp	G13	1580x170x95	2,9
	3617PR	2x18W	T8 lamp	G13	670x170x95	1,5
	3619PR	2x36W	T8 lamp	G13	1280x170x95	2,4
	3621PR	2x58W	T8 lamp	G13	1580x170x95	2,9
BS100 Basic	3619RE	2x36W	T8 lamp	G13	1280x170x95	2,4
	3621RE	2x58W	T8 lamp	G13	1580x170x95	2,9
BS110	3715	1x28W	T5 lamp	G5	1280x170x95	2,5
	3716	1x35W	T5 lamp	G5	1580x170x95	2,9
	3718	2x28W	T5 lamp	G5	1280x170x95	2,7
	3719	2x35W	T5 lamp	G5	1580x170x95	3,0





Material:

- body: made of glass fibre reinforced polyester
- color: light gray RAL 7035

Degree of protection: IP 65

Rated voltage: 230V/50Hz

Control gear: low loss ballast or electronic ballast

Mounting: separate built up mounting on a ceiling or suspended on pendants

Accessories: (must be ordered separately)

- steel sheet reflector, white painted
 - 99-583 for luminaires 36W - 1200mm
 - 99-584 for luminaires 58W - 1500mm
- lamps protection tube made of PC
 - 99-580 for luminaires 18W
 - 99-581 for luminaires 36W
 - 99-582 for luminaires 58W
- through wiring
 - 99-193 for luminaires 18 W
 - 99-194 for luminaires 36 W
 - 99-195 for luminaires 58 W

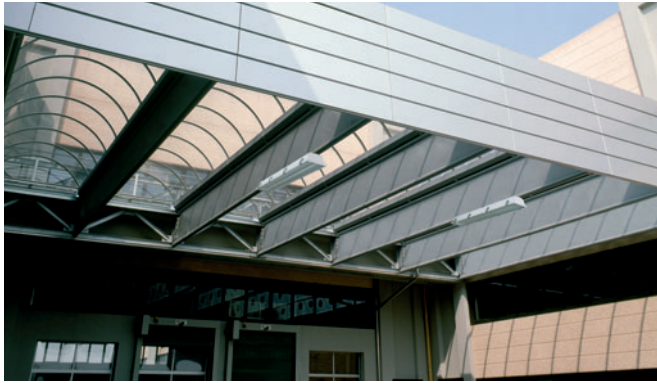
additional through wiring and pendants by request

Application: garages, factory halls, production lines, warehouses

Code	Power	Lamp	Cap	LxBxH (mm)	Kg
23-013/118/□	1x18W	T8 lamp	G13	661x65,6x115	1,25
23-013/136/□	1x36W	T8 lamp	G13	1271x65,6x115	1,80
23-013/158/□	1x58W	T8 lamp	G13	1571x65,6x115	2,30
23-013/218/□	2x18W	T8 lamp	G13	661x117x115	1,35
23-013/236/□	2x36W	T8 lamp	G13	1271x117x115	2,60
23-013/258/□	2x58W	T8 lamp	G13	1571x117x115	3,35

□ - C (electronic ballast) - D (low loss ballast, non compensated)
 - E (low loss ballast, parallel compensation)

Industrial luminaires - white steel reflector



Material

- body:
 - 25-05 - made of white varnished steel sheet
 - 25-06 - made of stainless steel sheet (by request)
 - 25-07 - made of zinc coated steel sheet
- color: white RAL 9003 (25-05), zinc-coated (25-07), stainless steel (25-06)
- reflector: white varnished steel sheet
- diffuser: hardened glass

Closing clips are made of stainless steel or steel according to version of the luminaire.

Degree of protection: IP 65

Rated voltage: 230V/50Hz

Control gear: low loss ballast or electronic ballast; the luminaires are offered also in emergency version

Mounting: separate built-up mounting

The luminaires are supplied with lead-in insulator, blank flange, safety screws and big pad for ceiling mounting.

Accessories (must be ordered separately)

parabolic microlouvre

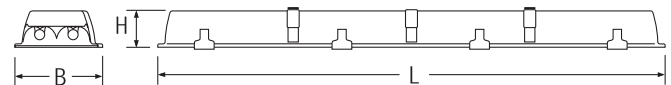
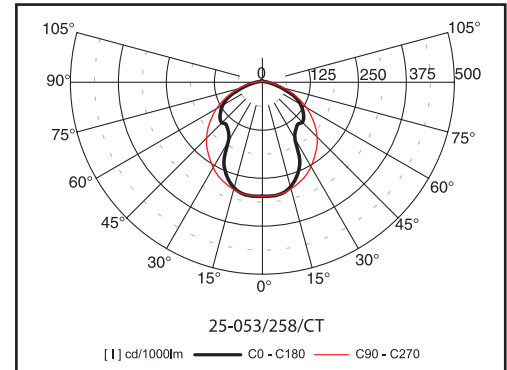
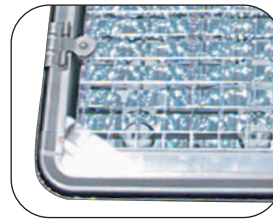
99-25C0 (1x36W, 2x36W)

99-25C1 (1x58W, 2x58W)

inserted reflectors

Application: cellars, industrial objects, warehouses

99-25C Microlouvre



Code	Power	Lamp	Cap	LxBxH (mm)	Kg
25-053/118/□	1x18W	T8 lamp	G13	676x212x92	4,5
25-053/136/□	1x36W	T8 lamp	G13	1286x212x92	8,0
25-053/158/□	1x58W	T8 lamp	G13	1586x212x92	10,5
25-053/218/□	2x18W	T8 lamp	G13	676x212x92	4,5
25-053/236/□	2x36W	T8 lamp	G13	1286x212x92	8,5
25-053/258/□	2x58W	T8 lamp	G13	1586x212x92	11,5
25-073/118/□	1x18W	T8 lamp	G13	676x212x92	4,5
25-073/136/□	1x36W	T8 lamp	G13	1286x212x92	8,0
25-073/158/□	1x58W	T8 lamp	G13	1586x212x92	10,5
25-073/218/□	2x18W	T8 lamp	G13	676x212x92	4,5
25-073/236/□	2x36W	T8 lamp	G13	1286x212x92	8,5
25-073/258/□	2x58W	T8 lamp	G13	1586x212x92	11,5

□ - E (low loss ballast, parallel compensation)
- C (electronic ballast)

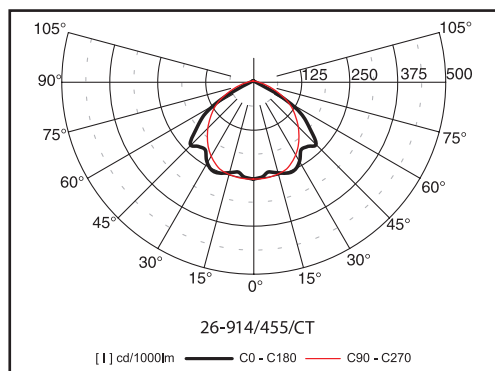
Table of reflectors

Reflector for luminaire wide-beam narrow-beam

Reflector for luminaire	wide-beam	narrow-beam
1x18W	99-281/118	99-282/118
1x36W	99-281/136	99-282/136
1x58W	99-281/158	99-282/158
2x18W	99-281/218	99-282/218
2x36W	99-281/236	99-282/236
2x58W	99-281/258	99-282/258

lumino | 26-91, 92, 93, 94, 95, 96, 97, 98

Industrial luminaires



Material

- body: steel sheet finished by powder technology varnishing or stainless steel
- color: white RAL 9003
- cover: hardened glass for IP65 version only (26-914, 26-924, 26-934, 26-944)

Degree of protection: IP 21/65

Rated voltage: 230V/50Hz

Control gear: electronic ballast; the luminaires are offered also in emergency version

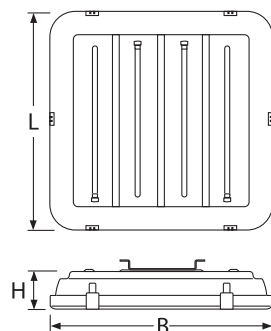
Mounting: built up on a ceiling

Accessories: (must be ordered separately)

99-695 protective grill

Application: industrial objects, warehouses

The luminaires are supplied with lamps



IP	Code	Power	Těleso	Lamp	Cap	LxBxH (mm)	Reflector	Kg
65	26-914/455/CT	4x55W	metal sheet	compact fl. lamp	2G11	743x730x136	wide-beam	12,7
65	26-914/655/CT	6x55W	metal sheet	compact fl. lamp	2G11	743x730x136	wide-beam	12,7
65	26-924/455/CT	4x55W	metal sheet	compact fl. lamp	2G11	743x730x136	narrow-beam	12,7
65	26-934/455/CT	4x55W	stainless steel	compact fl. lamp	2G11	743x730x136	wide-beam	12,7
65	26-934/655/CT	6x55W	stainless steel	compact fl. lamp	2G11	743x730x136	wide-beam	12,7
65	26-944/455/CT	4x55W	stainless steel	compact fl. lamp	2G11	743x730x136	narrow-beam	12,7
21	26-954/455/C	4x55W	metal sheet	compact fl. lamp	2G11	743x730x136	wide-beam	9,5
21	26-954/655/C	6x55W	metal sheet	compact fl. lamp	2G11	743x730x136	wide-beam	9,5
21	26-964/455/C	4x55W	metal sheet	compact fl. lamp	2G11	743x730x136	narrow-beam	9,5
21	26-974/455/C	4x55W	stainless steel	compact fl. lamp	2G11	743x730x136	wide-beam	9,5
21	26-974/655/C	6x55W	stainless steel	compact fl. lamp	2G11	743x730x136	wide-beam	9,5
21	26-984/455/C	4x55W	stainless steel	compact fl. lamp	2G11	743x730x136	narrow-beam	9,5

Industrial luminaires

40-01 | leo



Material:

- body: rubber gear box and transparent plastic cover
- color: black RAL 9005

Degree of protection: IP 54

Rated voltage: 230V/50Hz

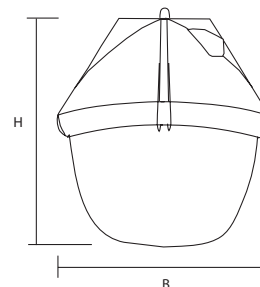
Mounting: on hinged hook

The luminaire is suitable for application with mercury discharge lamp for operation without ballast (max. input 160W).

For example:

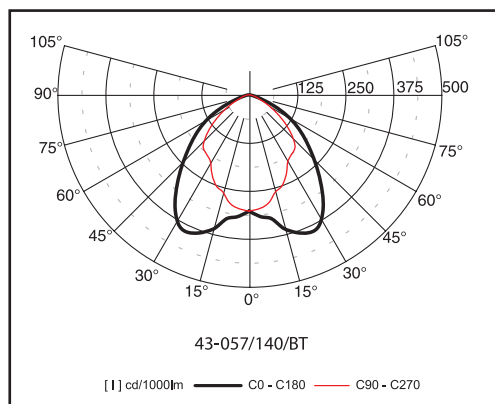
- HWL 160 (Osram)
- HSB-BW 160 (Sylvania)

Application: farms, metallurgical plants, mine pits, belt, transporters, lift shafts, building sites, industrial buildings



Code	Power	Lamp	Cap	BxH (mm)	Kg
40-011/115/+Y	1x150W	incandescent lamp	E27	260x295	2,2

aterix | 43-05, 43-06



Accessories:



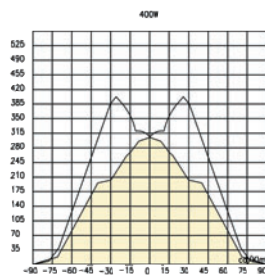
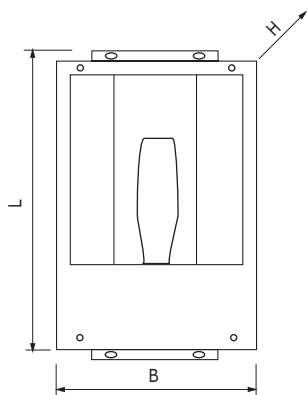
99-825



99-826



99-827



Industrial luminaires



Material

- body: steel sheet finished by powder technology varnishing
- color: white RAL 9003
- reflector: pure oxidized hammered aluminium sheet (43-05 symmetric; 43-06 asymmetric)
- diffuser: tempered glass resistant to bumps and thermal shocks

Degree of protection: IP 65

Rated voltage: 230V/50Hz

Control gear: standard ballast with parallel compensation

Mounting: on wall or on ceiling, on revolving cantilever, recessed mounting

Accessories: lamp is supplied with the luminaire (see the chart)

Must be ordered separately:

99-825 - protective grill from zinc-coated steel

99-826 - revolving cantilever

99-827 - border for recessed mounting

Application: sport stadiums, industrial and commercial premises, gas stations

Code	Power	Lamp	Cap	LxBxH (mm)
43-056/125/BT	1x250W	h.p. sodium lamp HST	E40	664x360x225
43-056/140/BT	1x400W	h.p. sodium lamp HST	E40	664x360x225
43-057/125/BT+ ¹	1x250W	metal halide lamp HIT	E40	664x360x225
43-057/140/BT+ ¹	1x400W	metal halide lamp HIT	E40	664x360x225
43-066/125/BT	1x250W	h.p. sodium lamp HST	E40	664x360x225
43-066/140/BT	1x400W	h.p. sodium lamp HST	E40	664x360x225
43-067/125/BT+ ²	1x250W	metal halide lamp HIT	E40	664x360x225
43-067/140/BT+ ²	1x400W	metal halide lamp HIT	E40	664x360x225

¹ - versions with metal halide lamp:

1 - mercury control gear

2 - sodium control gear

Industrial luminaires

43-09 | aterix



Material:

- body: steel sheet finished by powder technology varnishing
- color: white RAL 9003
- reflector: pure, oxidized hammered aluminium sheet
- diffuser: tempered glass resistant to bumps and thermal shocks

Degree of protection: IP 65

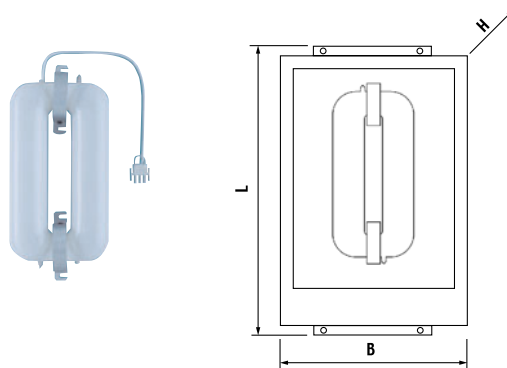
Rated voltage: 230V/50Hz

Control gear: quicktronic Endura

Mounting: on a ceiling

Accessories: luminaire is supplied with lamp Osram Endura

Application: sport stadiums, industrial areas, business areas, gas stations

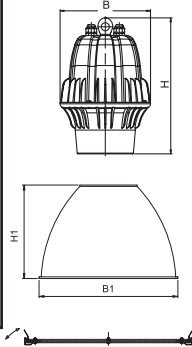
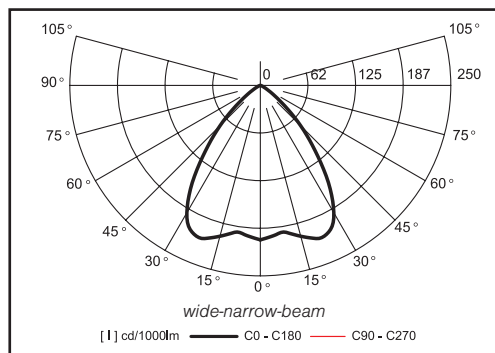


Code	Power	Lamp	LxBxH (mm)
43-093/110/BT	1x100W	Osram Endura	664x360x225
43-093/115/BT	1x150W	Osram Endura	664x360x225

Osram Endura

- Discharge in this lamp has no starting or end point.
The closed "ring" enables a discharge to take place without electrodes.
- Produced for premises where changing of lamps is too expensive (in the tunnels, factory lighting,...)
- Extremely long life 60 000 hours
- High luminous flux 12 000lm /150W
- High luminous efficiency of 80lm/W
- Low ignition temperature (as low -40°C depending on the ECG)

leone | 45-00



Gear box:

Code	Power	Lamp	Cap	∅ BxH (mm)	Kg
45-005/125/B	1x250W	h.p. mercury lamp	E40	226x340	7,2
45-005/140/B	1x400W	h.p. mercury lamp	E40	226x340	7,9
45-006/125/B	1x250W	h.p. sodium lamp	E40	226x340	7,2
45-006/140/B	1x400W	h.p. sodium lamp	E40	226x340	7,9
45-007/125/B++	1x250W	metal halide lamp	E40	226x340	7,2
45-007/140/B++	1x400W	metal halide lamp	E40	226x340	7,9

Reflectors:	Description	∅ B1xH1 (mm)	
99-558/500	aluminium reflector	494x295	1,0
99-569/520	polycarbonate reflector	516x316	1,9

Glass covers:

99-578/500	tempered glass cover	∅ 500	2,0
99-578/520	tempered glass cover	∅ 520	2,2
99-590/520	polycarbonate glass cover	∅ 520	2,0

☐ - versions with metal halide lamp:

1 - mercury control gear, 2 - sodium control gear

Industrial luminaires

Reflector, diameter 520mm:

99-569/520 - polycarbonate reflector

Glass covers, diameter 520mm:

99-590/520 - polycarbonate glass cover

99-578/520 - tempered glass cover



Material:

- body: the gear box is made of die-cast aluminium finished by powder technology varnishing
- color: gray RAL 9006

Degree of protection: IP 23/65

Rated voltage: 230V/50Hz

Control gear: standard ballast with parallel compensation, luminaires are prepared for continuous mounting (looping)

Mounting: suspended on hook

Accessories: lamp is supplied with the luminaire

It is possible to change the position of light source considering the reflector and get three different types of light distribution curve

While using the luminaire without glass cover, it is necessary to use particular lamp.

Must be ordered separately:

- reflector (aluminium, polycarbonate)
- glass cover (for IP65)
- protective grill (only for aluminium reflector 99-558/500)

Application: factory halls, warehouses, exhibition halls, supermarkets

While using the gear box on 400W polycarbonate reflector has not to be covered by any type of glass cover.



Reflector, diameter 500mm:

99-558/500 - aluminium reflector

Protective grill 99-258/500



Glass cover, diameter 500mm:

99-578/500 - tempered glass cover

Industrial luminaires

45-01 | leone

Gear box:
(included the lamp)

Reflector, diameter 500mm:
99-558/500 - aluminium reflector

Glass cover, diameter 500mm:
99-578/500 - tempered glass cover



Material:

- body: the gear box is made of die-cast aluminium finished by powder technology varnishing
- color: gray RAL 9006

Degree of protection: IP 23/65

Rated voltage: 230V/50Hz

Control gear: standard ballast with parallel compensation

Mounting: suspended on hook

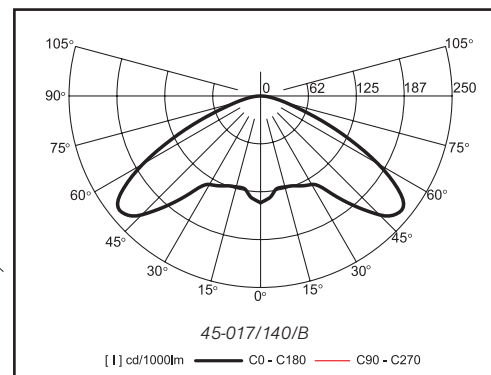
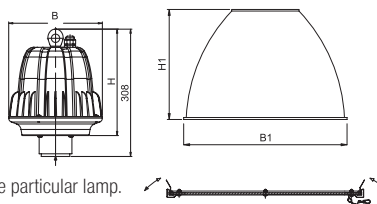
Accessories: lamp is supplied with the luminaire

While using the luminaire without glass cover, it is necessary to use particular lamp.

Must be ordered separately:

- reflector (aluminium, polycarbonate)
- glass cover (for IP65)
- protective grill (only for aluminium reflector 99-558/500)

Application: factory halls, warehouses, exhibition halls, supermarkets



While using the gear box on 400W polycarbonate reflector has not to be covered by any type of glass cover.

Reflector, diameter 520mm: 99-569/520 - polycarbonate reflector



Protective grill 99-258/500



Glass covers, diameter 520mm:

99-590/520 - polycarbonate glass cover

99-578/520 - tempered glass cover

Gear box:

Code	Power	Lamp	Cap	ØBxH [mm]	Kg
45-015/125/B	1x250W	h.p. mercury lamp	E40	226x257	6,7
45-015/140/B	1x400W	h.p. mercury lamp	E40	226x257	7,4
45-016/125/B	1x250W	h.p. sodium lamp	E40	226x257	6,7
45-016/140/B	1x400W	h.p. sodium lamp	E40	226x257	7,4
45-017/125/B++ [4]	1x250W	metal halide lamp	E40	226x257	6,7
45-017/140/B++ [4]	1x400W	metal halide lamp	E40	226x257	7,4

Reflectors:	Description	ØB1xH1 [mm]	
99-558/500	aluminium reflector	494x295	1,0
99-569/520	polycarbonate reflector	516x316	1,9

Glass covers:		Ø	Kg
99-578/500	tempered glass cover	Ø 500	2,0
99-578/520	tempered glass cover	Ø 520	2,2
99-590/520	polycarbonate glass cover	Ø 520	2,0

[4] - versions with metal halide lamp:

1 - mercury control gear, 2 - sodium control gear

leone | 45-02, 45-03 (26W~150W)

Industrial luminaires



Cover glasses: Description ØB1 (mm)

99-578/320	tempered glass	Ø316
99-578/350	tempered glass	Ø350
99-578/420	tempered glass	Ø416
99-577/320	acrylate clear	Ø316
99-577/420	acrylate clear	Ø416
99-576/320	acrylate opal	Ø316
99-576/420	acrylate opal	Ø416

Reflectors: Description ØB1xH1 (mm)

99-558/350	aluminium	350x247
99-568/320	acrylate clear	316x191
99-568/420	acrylate clear	416x281
99-588/320	acrylate opal	316x191
99-588/420	acrylate opal	416x281

Material:

- body: the gearbox is made of steel sheet finished by powder technology varnishing
45-02 with IP 23, 45-03 made of perforated steel sheet with IP 20
- color: gray RAL 9006

Degree of protection: IP 23, IP 20

Rated voltage: 230V/50Hz

Control gear: standard ballast with parallel compensation,
low loss or electronic ballast (for CFL only)

Mounting: suspended on hook

Accessories: lamp is supplied with the luminaire

While using the luminaire without glass cover, it is necessary to use particular lamp.

Must be ordered separately:

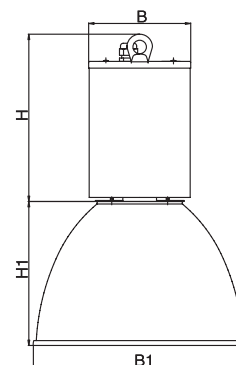
- reflector (aluminium, acrylate)
- glass cover (glass, acrylate)

Application: factory halls, warehouses, exhibition halls, supermarkets

Gear box:

Code for IP 23	Code for IP 20	Power	Lamp	Cap	ØBxH (mm)
45-024/126/□	45-034/126/□	1x26W	compact fl. lamp TC-TEL	GX 24d(q)-3	152x250
45-024/132/C	45-034/132/C	1x32W	compact fl. lamp TC-TEL	GX 24q-3	152x250
45-024/142/C	45-034/142/C	1x42W	compact fl. lamp TC-TEL	GX 24q-4	152x250
45-024/157/C	45-034/157/C	1x57W	compact fl. lamp TC-TEL	GX 24q-5	152x250
45-026/135/B	45-036/135/B	1x35W	h.p. sodium lamp SDW-T	PG12	152x250
45-026/105/B	45-036/105/B	1x50W	h.p. sodium lamp SDW-T	PG12	152x250
45-026/110/B	45-036/110/B	1x100W	h.p. sodium lamp SDW-T	PG12	152x250
45-027/135/B	45-037/135/B	1x35W	metal halide lamp HIT-CRI	G12	152x250
45-027/107/B	45-037/107/B	1x70W	metal halide lamp HIT-CRI	G12	152x250
45-027/115/B	45-037/115/B	1x150W	metal halide lamp HIT-CRI	G12	152x250

□ - E (low loss ballast) - C (electronic ballast)



Industrial luminaires

BS 736 | salvaspazio



Material

- body: the gear box is made of die-cast aluminium finished by powder technology varnishing
- color of body: black RAL 9005
- reflector: aluminium

Degree of protection: IP 23/65

Rated voltage: 230V/50Hz

Control gear: standard ballast with parallel compensation

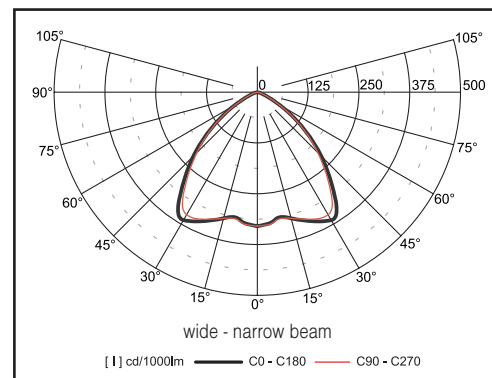
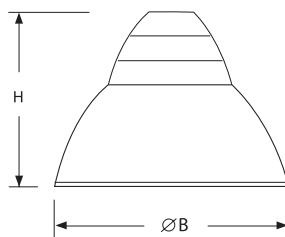
Mounting: suspended on hook

Accessories: lamp is supplied with the luminaire the unit is provided of a three poles crew connector, ballast with thermal protection and lamp - holder adjustable in 6 different positins.

Possible to order separately:

13393 - protective grid

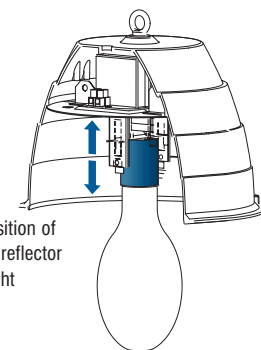
Application: factory halls, warehouses, exhibition halls, supermarkets



IP	Code	Power	Lamp	Version	Cap	ØBxH (mm)	Kg
23	13402	1x250W	metal halide lamp	1	E40	590x493	11,5
23	13403	1x400W	metal halide lamp	1	E40	590x493	12,0
23	13404	1x250W	metal halide lamp	2	E40	590x493	11,5
23	13405	1x400W	metal halide lamp	2	E40	590x493	12,0
65	13394	1x250W	metal halide lamp	1	E40	590x493	13,5
65	13395	1x400W	metal halide lamp	1	E40	590x493	14,0
65	13396	1x250W	metal halide lamp	2	E40	590x493	13,5
65	13397	1x400W	metal halide lamp	2	E40	590x493	14,0

Metal halide lamp version:

- 1 - mercury control gear
- 2 - sodium control gear



Possibility to change the position of light source considering the reflector and get different types of light distribution curve.