

DRACO BS710 FLUORESCENT



12" - 16"



Suspended Luminaire

Application: The DRACO® BS710 compact fluorescent lowbay luminaire has combined performance and efficiency. The four piece integrated extruded aluminum ballast housing is designed for suspension cable or rigid pendant mounting. Based on specified lamp and configuration, 12 or 16 refractors are used. Several refractor types are available. The bottom glass trim ring features an inner opaque ring for increased diffusion. The DRACO® BS710CF is ideal for retail, open ceiling areas, loft style offices and cafes.

Type: _____

Project: _____

CONFIGURE:

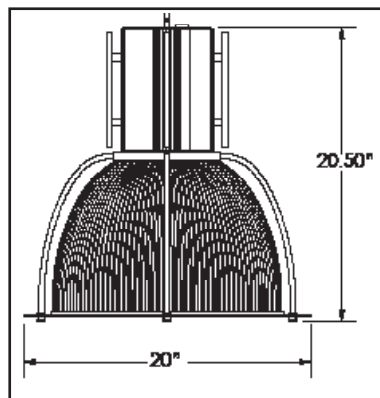
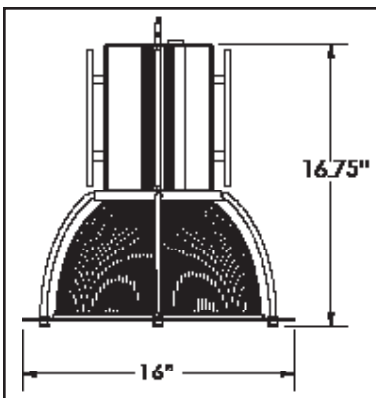
a	MODEL	b	LAMPS	c	REFRACTOR	d	MOUNTING	e	INPUT	f	OPTIONS
BS710CF	126W	1x26W CF	142W	1x42W CF	12ACT	12" acrylic clear translucent	AC50	cable 50"	120V	CCH	custom color housing
	226W	2x26W CF	242W	2x42W CF	12ART	12" acrylic red translucent	AC72	cable 72"	277V	SPCW	spiral cord white
	326W	3x26W CF	342W	3x42W CF	12ABT	12" acrylic blue translucent	AC100	cable 100"	120/277V	SPCB	spiral cord black
	426W	4x26W CF	442W	4x42W CF	12AGT	12" acrylic green translucent	AC150	cable 150"	347V	CR	custom refractor
					12AAT	12" acrylic amber translucent	AC250	cable 250"		EM	650 lumen
	132W	1x32W CF			12AL	12" aluminum	PK12	pendant 12"			
	232W	2x32W CF			16ACT	16" acrylic clear translucent	PK18	pendant 18"			
	332W	3x32W CF			16AL	16" aluminum	PK24	pendant 24"			
	432W	4x32W CF					PK36	pendant 36"			
							PKCL	custom pendant			
											NOTE (1): EM will operate one lamp
											NOTE (2): For custom color specify color code or sample
MODEL	a	LAMPS	b	REFRACTOR	c	MOUNTING	d	INPUT	e	OPTIONS	f
BS710CF											

HOUSING: Extruded aluminum construction with powder coated smooth semi gloss gray RAL 7040 as standard. Custom finishes including painting and anodizing are available.

REFRACTOR: 12" acrylic translucent prismatic design available in clear (ACT), red (ART), blue. PK12 12" pendant 3/8" IPS, PK18 18" pendant 3/8" IPS, PK24 24" pendant 3/8" IPS, PK36 36" pendant 3/8" IPS, PKCL custom pendant length, diameter and finish. SVL swivel pendant connector has 45° rotation and 75lbs maximum load.

POWER LINE/FEED: 18/4 SJT straight white cord, 60" long, cord may be field cut. Power line / feed attached to housing for all mounting types.

GLASS TRIM: 3/16" tempered etched glass diffusing ring suspended by four (4) high polished, formed aluminum support arms.



DRACO BS710 METAL HALIDE



12" - 16"



Suspended Luminaire

Application: The DRACO® BS710 metal halide lowbay luminaire has fused industrial and commercial design. The four piece integrated extruded aluminum ballast housing is designed for suspension cable or rigid pendant mounting. Based on specified lamp type, 12" or 16" refractors are used. Several refractor types are available. The bottom glass trim ring features an inner opaque ring for increased diffusion. The DRACO® BS710MH is ideal for retail stores, open ceiling areas, loft style offices and cafes.

Type: _____

Project: _____

CONFIGURE:

a	MODEL	b	LAMP	c	REFRACTOR	d	MOUNTING	e	INPUT	f	OPTIONS	
	BS710MH		50W 50W MH 70W 70W MH 100W 100W MH 150W 150W MH 175W 175W MH 250W 250W MH <small>NOTE: 175W, 250W require 16" refractor.</small>		12ACT 12" acrylic clear translucent 12ART 12" acrylic red translucent 12ABT 12" acrylic blue translucent 12AGT 12" acrylic green translucent 12AAT 12" acrylic amber translucent 12AL 12" aluminum 16ACT 16" acrylic clear translucent 16AL 16" aluminum		AC50 cable 50" AC72 cable 72" AC100 cable 100" AC150 cable 150" AC250 cable 250" PK12 pendant 12" PK18 pendant 18" PK24 pendant 24" PK36 pendant 36" PKCL custom pendant <small>NOTE (1): SVL for swivel pendant NOTE (2): AC is fully adjustable</small>		120V 208V 240V 277V 347V 408V		CCH custom color housing SPCW spiral cord white SPCB spiral cord black CR custom refractor QRS quartz restrike QRSTD quartz restrike with time delay <small>NOTE: For custom color specify color code or sample.</small>	
	MODEL	a	LAMP	b	REFRACTOR	c	MOUNTING	d	INPUT	e	OPTIONS	f
	BS710MH											

HOUSING: Extruded aluminum construction with powder coated silver metallic as standard. Custom finishes including painting and anodizing are available.

REFRACTOR: 12" acrylic translucent prismatic design available in clear (ACT), red (ART), blue (ABT), green (AGT), and amber (AAT). Also available in spun aluminum (AL). 16" acrylic translucent prismatic design available in clear (ACT). Also available in spun aluminum (AL).

LAMP/SOCKET: One (1) 50W, 70W, 100W, 150W, 175W or 250W medium/mogul base for metal halide lamp (lamp is not included).

MOUNTING: AC50 50" aviation cable, adjustable. AC72 72" aviation cable, adjustable. AC100 100" aviation cable, adjustable. AC150 150" aviation cable, adjustable. AC250 250" aviation cable, adjustable. Aviation cable mount uses 1/4" deep, 5" diameter white canopy. Pendant luminaires to have flat, 5" diameter white canopy. Canopies mount to standard 4" octagonal junction box supplied by

others. PK12 12" pendant 3/8" IPS, PK18 18" pendant 3/8" IPS, PK24 24" pendant 3/8" IPS, PK36 36" pendant 3/8" IPS, PKCL custom pendant length, diameter and finish. SVL swivel pendant connector has 45° rotation and 75lbs maximum load.

POWER LINE/FEED: 18/4 SJT straight white cord, 60" long, cord may be field cut. Power line / feed attached to housing for all mounting types.

GLASSTRIM: 3/16" tempered etched glass diffusing ring suspended by four (4) high polished, formed aluminum support arms.

