

AVIOR AVR FLUORESCENT (T5)



Suspended Luminaire

Application: The AVIOR AVRT5 linear fluorescent is a three (3) lamp, efficiency based luminaire designed to provide direct and indirect illumination. Using a single T5 lamp as direct illumination, while the other two lamps offer an impressive indirect element. Offered as a stand alone four (4) foot luminaire. Constructed using formed steel and color matched cast aluminum end caps. The AVIOR AVRT5 is also available with dual switching, dimming and indirect color effect inserts. This suspended luminaire is ideal for offices, galleries, corridors, and for any decorative interior setting.

Type: _____

Project: _____

CONFIGURE:

a	b	c	d	e	f	g
MODEL	OPERATION	LAMPS	INPUT	LOUVER	FINISH	OPTIONS
AVRT5 AVIOR AVR T5 SERIES	HT AC only	328W 3x28W T5 NOTE: Lamps not included	120V 277V 120/277V 347V	MF mirror finish SF satin finish	WT white (RAL9003) DG dark grey (RAL7016)	FP inline fuse protection SPCW spiral cord white SPCB spiral cord black ICDR indirect color diffuser red ICDG indirect color diffuser green ICDB indirect color diffuser blue ICDY indirect color diffuser yellow 2CK two level switching PK rigid pendant kit: 18", 24", 36" & 48" AC aviation cable: 50", 72", 100", 150" & 250" NOTE: (AC & PK) length to be specified, i.e. PK24 or AC100
MODEL a	OPERATION b	LAMPS c	INPUT d	LOUVER e	FINISH f	OPTIONS g
AVRT5						

HOUSING: One piece formed steel construction. Color die-cast aluminum end caps. White (RAL9003) or dark grey (RAL7016) powder coat finish.

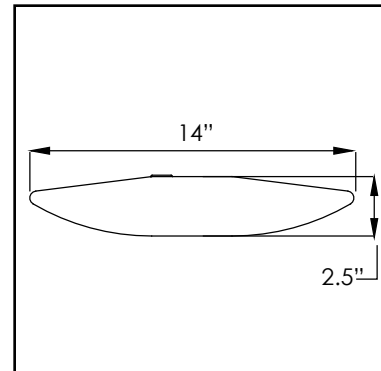
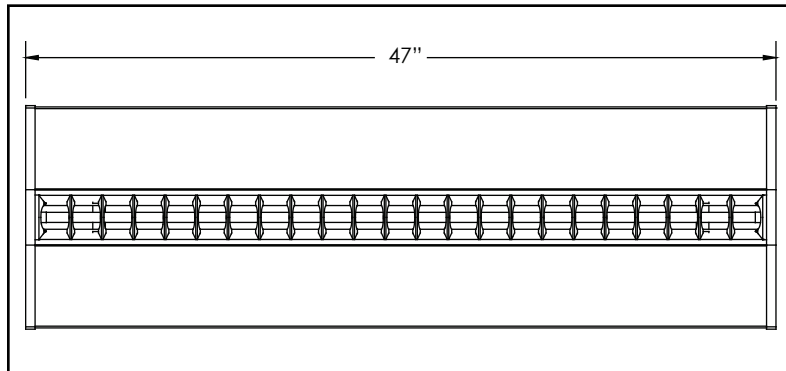
LOUVER: Aluminum multi cell louver available in (MF) mirror finish or (SF) satin finish. Louver held in place by four (4) perimeter pressure clips.

INDIRECT DIFFUSER: Standard clear diffuser for indirect illumination. Optional color diffusers available for indirect effects. (ICDR) diffuser red, (ICDR) diffuser green, (ICDB) diffuser blue or (ICDY) diffuser yellow.

LAMP/SOCKET: Six (6) T5 ratchet type sockets with T5 Beghelli adaptor extenders.

MOUNTING: 50" fully adjustable suspension aviation cable mount as standard.

POWER LINE/FEED: 3-wire, solid type 18awg, pre-stripped 12" leads for quick in-field connection.



AVR

FLUORESCENT (T5HO)



Suspended Luminaire

Application: The AVIOR AVR T5HO linear fluorescent is a three (3) lamp, efficiency based luminaire designed to provide direct and indirect illumination. Using a single T5HO lamp as direct illumination, while the other two lamps offer an impressive indirect element. Offered as a stand alone four (4) foot luminaire. Constructed using formed steel and color matched cast aluminum end caps. The AVIOR AVR T5HO is also available with dual switching, dimming and indirect color effect inserts. This suspended luminaire is ideal for offices, galleries, corridors and open ceiling environments.

Type: _____

Project: _____

CONFIGURE:

a	b	c	d	e	f	g
MODEL	OPERATION	LAMPS	INPUT	LOUVER	FINISH	OPTIONS
AVRT5HO AVIOR AVR T5HO SERIES	HT AC only	354W 3x54W T5HO <small>NOTE: Lamps not included</small>	120V 277V 120/277V 347V	MF mirror finish SF satin finish	WT white (RAL9003) DG dark grey (RAL7016)	FP inline fuse protection SPCW spiral cord white SPCB spiral cord black ICDR indirect color diffuser red ICDG indirect color diffuser green ICDB indirect color diffuser blue ICDY indirect color diffuser yellow 2CK two level switching PK rigid pendant kit: 18", 24", 36" & 48" AC aviation cable: 50", 72", 100", 150" & 250" <small>NOTE: (AC & PK) length to be specified, i.e. PK24 or AC100</small>
MODEL a	OPERATION b	LAMPS c	INPUT d	LOUVER e	FINISH f	OPTIONS g
AVRT5HO						

HOUSING: One piece formed steel construction. Col- or die-cast aluminum end caps. White (RAL9003) or dark grey (RAL7016) powder coat finish.

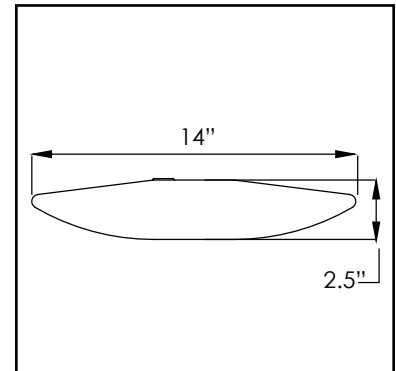
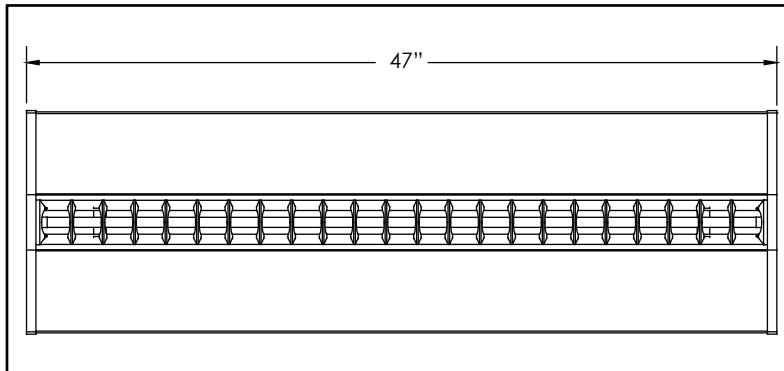
LOUVER: Aluminum multi cell louver available in (MF) mirror finish or (SF) satin finish. Louver held in place by four (4) perimeter pressure clips.

INDIRECT DIFFUSER: Standard clear diffuser for indi- rect illumination. Optional color diffusers available for indirect effects. (ICDR) diffuser red, (ICDR) diffuser green, (ICDB) diffuser blue or (ICDY) diffuser yellow.

LAMP/SOCKET: Six (6) T5HO ratchet type sockets with T5HO Beghelli adaptor extenders.

MOUNTING: 50" fully adjustable suspension avia- tion cable mount as standard.

POWER LINE/FEED: 3-wire, solid type 18awg, pre- stripped 12" leads for quick in-field connection.





AVIOR + PHOTOMETRICS

PHOTOMETRIC DATA:

Configuration: **AVR-T5-HT-328W-120/277V-MF-WT-FP**

Initial Lamp Lumens: 2900

Maximum Candela = 1492 at 90 H 32.5 V

Classification:

Road Classification: Type V, Very Short, Non-Cutoff

Indoor Classification: General Diffuse

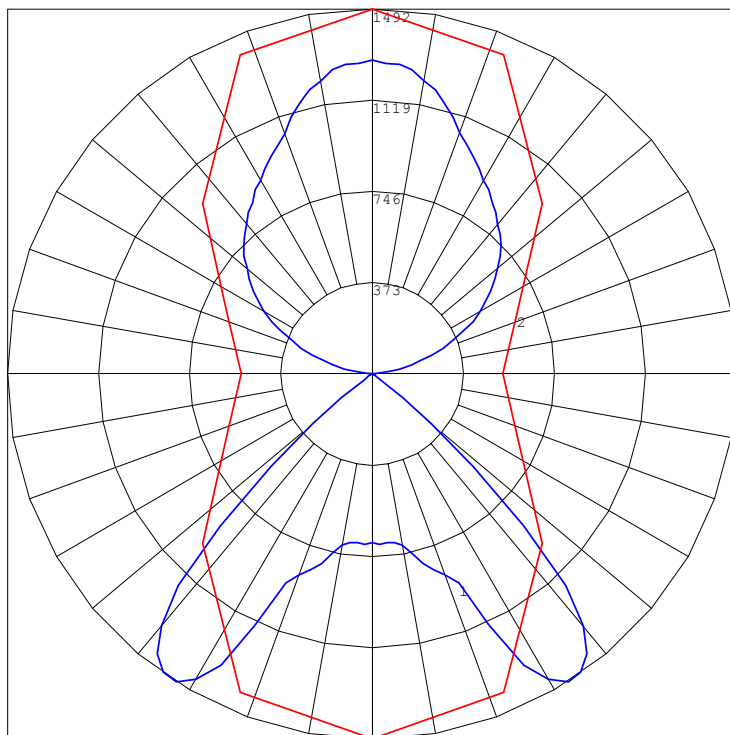
Polar Candela Curves:

Vertical Plane Through:

1) 90 - 270 Horizontal

Horizontal Cone Through:

2) 32.5 Vertical



Please visit www.beghelliLUCE.com to download additional photometry pdfs and IES files.

PHOTOMETRIC DATA:

Configuration: AVRT5HO-HT-354W-120/27V-MF-WT-FP
Initial Lamp Lumens: 4450
Luminaire Efficiency: 40.1%

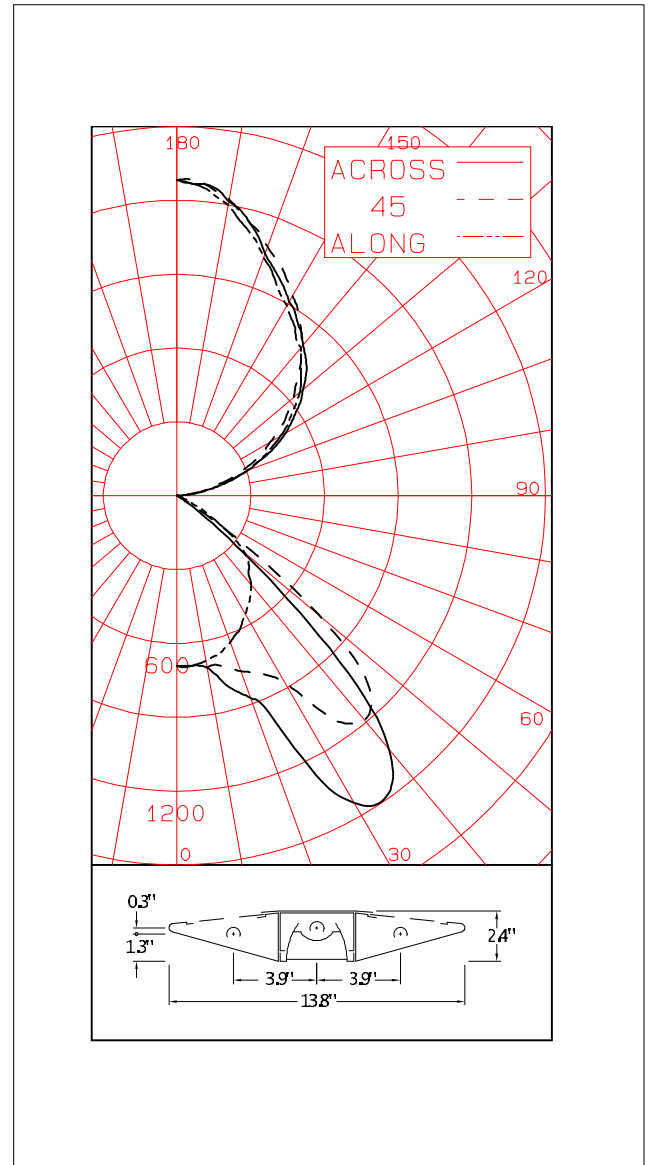
CANDLE POWER SUMMARY

ANGLE	ALONG	22.5	45	67.5	ACROSS	OUTPUT LUMENS
0	691	691	691	691	691	
5	693	687	694	701	694	68
15	665	669	718	786	802	206
35	516	656	1108	1443	1490	647
45	414	707	1107	1029	877	642
55	250	494	253	95	40	242
65	40	51	11	7	6	31
75	40	51	11	7	6	31
75	3	0	0	1	0	1
85	0	0	0	0	0	0
90	0	0	0	0	0	0
95	37	30	33	41	38	46
105	213	203	173	185	206	206
115	398	414	361	375	414	382
125	567	589	536	552	592	503
135	714	737	703	714	745	554
145	836	860	869	859	856	535
155	954	981	1017	989	980	455
165	1117	1134	1148	1132	1146	320
175	1256	1260	1272	1268	1271	121
180	1282	1282	1282	1282	1282	

ZONE	LUMENS	% LAMP	% LUMINAIRE
0-30	664	4.98	12.43
0-40	1311	9.83	24.52
0-60	2195	16.44	41.04
0-90	2228	16.69	41.65
40-90	916	6.86	17.13
60-90	32	.25	.61
90-180	3121	23.38	58.35
0-180	5349	40.07	100.00

LUMINANCE SUMMARY

Angle°	ALONG	45	ACROSS
45°	7508	20142	15956
55°	5577	5684	888
65°	1221	321	176
75°	130	0	0
85°	0	0	0



Please visit www.beghelliluce.com to download additional photometry pdfs and IES files.