

# GIRA SOLE MINI

# GSMLED

LIGHT EMITTING DIODE



LED - Recessed

IP65



Recessed Luminaire

**Application:** The GIRA SOLE MINI (<sup>GS</sup>MINI) series is a recessed luminaire, built to perform with efficiency and reliability. The Beghelli LUCE LED light engine is up to five times more efficient than conventional lamps and capable of retaining up to 70% of its initial light output with an estimated life of 50,000 hours. <sup>GS</sup>MINI is available with white, RGB color mixing or custom color LED light engines. The <sup>GS</sup>MINI housing is fabricated from high-strength aluminum alloy with an anodized or hard anodized finish. The recessed design is perfect for use in walkways, corridors, stairwells, restaurants and retail.

Type: \_\_\_\_\_

Project: \_\_\_\_\_

**CONFIGURE:**

a	b	c	d	e	f
MODEL	LED / PERFORMANCE	LENS ANGLE	INPUT	MOUNTING	FINISH
<b>GSMLED</b> GIRA SOLE MINI	<b>WT32</b> 3200K <b>WT45</b> 4500K <b>WT65</b> 6500K <b>RGB</b> color mixing <b>SCL</b> single color LED  <small>NOTE: single color LED available, contact factory.</small>	<b>NBD</b> narrow distribution <b>MBD</b> medium distribution	<b>120V</b> <b>277V</b> <b>120/277V</b>  <small>NOTE: consult factory for 347V</small>	<b>ID</b> in drywall	<b>AB</b> anodized black <b>AC</b> anodized clear <b>HAB</b> hard ano. black <b>HAT</b> hard ano. titanium <b>CAC</b> custom hard anodized color  <small>NOTE: custom colors must be specified</small>
<b>MODEL</b> a	<b>LED / PERFORMANCE</b> b	<b>LENS ANGLE</b> c	<b>INPUT</b> d	<b>MOUNTING</b> e	<b>FINISH</b> f
GSMLED					

**HOUSING:** <sup>GS</sup>MINI is constructed from machined aluminum alloy with anodized or hard anodized finish.

**OPTICAL LENS:** Hexagonal design for tight pack uniformity of LED cluster. High light collection efficiency rating of >85%. Optical grade poly carbonate material provides thermal stability and overall system durability.

**DIFFUSER:** Fully gasketed, tempered glass, recessed lens. Complete light emission clear optics for increased efficiency and performance.

**LED LIGHT ENGINE:** High performance white LED available in standard color temperatures 3200K (warm), 4500K (daylight), 6500K (cool). Custom color temperatures available upon request. RGB color mixing available in 24VDC only. Single color LED offered in red, red/orange, amber, green, cyan, blue or royal blue.

**CONTROL:** <sup>GS</sup>MINI RGB units are compatible with DMX-512 protocol / color controller.

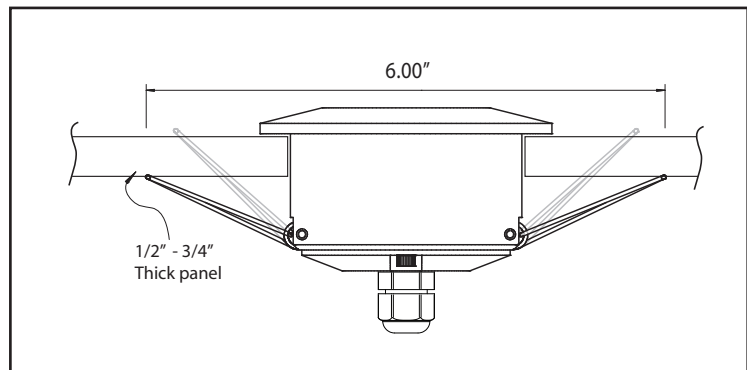
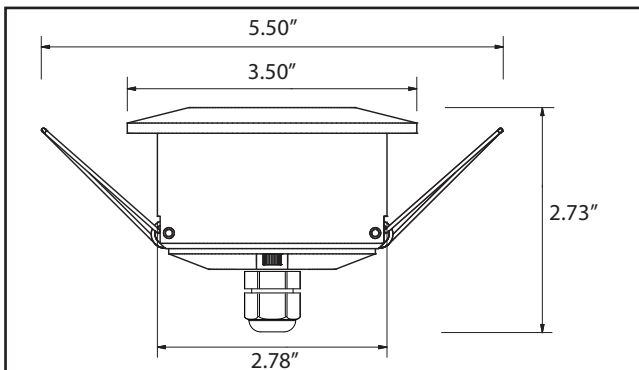
**MOUNTING:** (ID) In drywall, fully recessed

**POWER LINE/FEED:** Single color LED fixture uses a 36" long black two wire cord, and RGB LED fixture uses a 36" long 4 wire cord. Cord may be field cut.

**WATTAGE:** 8.5W per fixture, single color.

**POWER SUPPLY:** Remote (external) power supplies are available in 25W, 40W, 60W and 96W. RGB 320W (4/80W outputs) power supply/decoder.

NOTE: Power consumption may vary based on LED specifications. Please consult factory for proper power supply configuration.



**GIRA SOLE MINI**



