

# GRAN BELLA BS820 FLUORESCENT

22"  
DAMP



Suspended Luminaire

**Application:** The GRAN BELLA™ BS820 compact fluorescent series continues the evolution of the LUCE highbay family. Combining architectural design, industrial durability and high efficiency; the GRAN BELLA™ BS820CF is the definitive high-bay solution. The one-piece spun aluminum ballast housing has been designed for both suspension cable and pendant mounting. A 22" prismatic acrylic refractor is standard on all GRAN BELLA™ BS820CF luminaires. The bottom aluminum trim ring assists in overall light control. Additional refractor types are available. The GRAN BELLA™ BS820CF is ideal for warehouses, gymnasiums, arenas and other high ceiling environments.

Type: \_\_\_\_\_

Project: \_\_\_\_\_

## CONFIGURE:

a	b	c	d	e	f	g
MODEL	LAMPS	REFRACTOR	MOUNTING	INPUT	FINISH	OPTIONS
<b>BS820CF</b> GRAN BELLA™ BS820 CF SERIES	<b>626W</b> 6x26W CF <b>632W</b> 6x32W CF <b>642W</b> 6x42W CF <b>826W</b> 8x26W CF <b>832W</b> 8x32W CF <b>842W</b> 8x42W CF	<b>22ACT</b> 22" acrylic clear <b>22AL</b> 22" aluminum	<b>AC50</b> cable 50" <b>AC72</b> cable 72" <b>AC100</b> cable 100" <b>AC150</b> cable 150" <b>AC250</b> cable 250" <b>PK12</b> pendant 12" <b>PK18</b> pendant 18" <b>PK24</b> pendant 24" <b>PK36</b> pendant 36" <b>PKCL</b> custom pendant  <small>NOTE (1): SVL for swivel pendant NOTE (2): AC is fully adjustable</small>	<b>120V</b> <b>277V</b> <b>120/277V</b> <b>347V</b>	<b>AL</b> aluminum <b>WT</b> white <b>BK</b> black	<b>CCH</b> custom color housing <b>SPCW</b> spiral cord white <b>SPCB</b> spiral cord black <b>2CK</b> two level switching <b>3CK</b> three level switching <b>EM</b> 650lm emergency <b>SL</b> safety lens  <small>NOTE (1): EM will operate one lamp NOTE (2): for custom color specify color code or sample</small>
<b>MODEL</b> a	<b>LAMPS</b> b	<b>REFRACTOR</b> c	<b>MOUNTING</b> d	<b>INPUT</b> e	<b>FINISH</b> f	<b>OPTIONS</b> g
BS820CF						

**HOUSING:** 5052-H32 spun aluminum construction available with raw clear coat finish, white powdercoat finish or black powdercoat finish as standard. Custom finishes available.

**REFRACTOR:** 22ACT acrylic translucent prismatic design, also available in spun aluminum (AL).

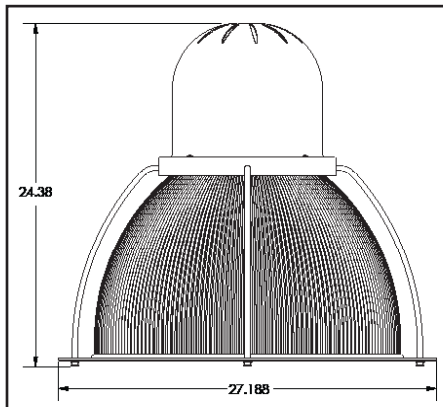
**LAMP/SOCKET:** (6 - 8) 26W, 32W or 42W GX24q series base CF lamp (Lamps not included).

**MOUNTING:** AC50 50" aviation cable, adjustable. AC72 72" aviation cable, adjustable. AC100 100" aviation cable, adjustable. AC150 150" aviation cable, adjustable. AC250 250" aviation cable, adjustable. PK12 12" pendant 1/2" IPS, PK18 18" pendant 1/2" IPS, PK24 24" pendant 1/2" IPS, PK36 36" pendant 1/2" IPS, PKCL custom pendant length, diameter and finish. SVL swivel pendant connector has 45° rotation and 75lbs maximum load. Aviation cable mount uses 1/4" deep, 5" diameter white canopy. Pendant

luminaires to have flat, 5" diameter white canopy. Canopies mount to standard 4" octagonal junction box supplied by others.

**POWER LINE/FEED:** 18/4 SJT straight white cord, 60" long, cord may be field cut. Power line / feed attached to housing for all mounting types.

**ALUMINUM TRIM:** 5052 decorative support bottom control ring suspended by four (4) color matched, formed aluminum support arms.



GRAN BELLA™