

# M I R A

# BS600

FLUORESCENT (T5)



4ft - T5



Suspended Luminaire

**Application:** The MIRA BS600T5 linear fluorescent has been designed to be a stand alone luminaire that gives the illusion of floating in mid-air because of its perforated wings. The BS600T5 is offered in a 4ft version with one (1) T5 lamp. Constructed from durable steel and finished in either aluminum or dark grey powder coat. Multiple diffusers and reflectors can be specified. The MIRA BS600T5 features high efficiency and dependability that is ideal for offices, retail, libraries and schools.

Type: \_\_\_\_\_

Project: \_\_\_\_\_

**CONFIGURE:**

a	MODEL	b	OPERATION	c	LAMP	d	INPUT	e	LOUVER	f	DIFFUSER	g	FINISH	h	OPTIONS
BS600T5	MIRA BS600 T5 SERIES	HT	AC only	128W	1x28W T5	120V 277V 120/277V 347V		MF mirror finish SF satin finish	PF perforated OA opaline acrylic	MG metallic grey DG dark grey	FP inline fuse protection PK rigid pendant kit: 18", 24", 36" & 48" AC aviation cable: 50", 72", 100", 150" & 250" SPCW spiral cord white SPCB spiral cord black				NOTE: (AC & PK) length to be specified, i.e. PK24 or AC100
MODEL	a	OPERATION	b	LAMP	c	INPUT	d	LOUVER	e	DIFFUSER	f	FINISH	g	OPTIONS	h
BS600T5															

**HOUSING:** One piece formed steel construction. Color matched integrated polycarbonate end caps. Perforated linear wings.

**REFLECTOR:** Single high polish aluminum reflector.

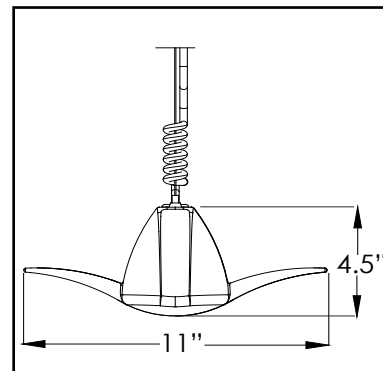
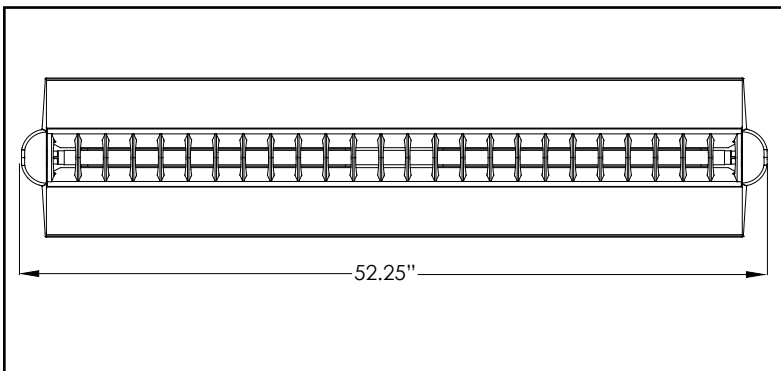
**LOUVER:** Aluminum multi cell louver available in (MF) mirror finish or (SF) satin finish. Louver held in place by four (4) perimeter pressure clips.

**DIFFUSER:** (PF) aluminum perforated diffuser or (OA) opaline acrylic translucent diffuser offered.

**LAMP/SOCKET:** Two (2) T5 ratchet type sockets with T5 Beghelli adaptor extenders.

**MOUNTING:** 50" fully adjustable suspension aviation cable mount as standard. Optional (PK) pendant mounting is available. Required mounting height to be specified.

**POWER LINE/FEED:** 3-wire, solid type 18awg, pre-stripped 12" leads for quick in-field connection.





Suspended Luminaire

**Application:** The MIRA BS600T5HO linear fluorescent has been designed to be a stand alone luminaire that gives the illusion of floating in mid-air because of its perforated wings. The BS600T5HO is offered in a 4ft version with one (1) T5HO lamp. Constructed from durable steel and finished in either aluminum or dark grey powder coat. Multiple diffusers and reflectors can be specified. The MIRA BS600T5HO features efficiency and performance that is ideal for open ceiling of offices, retail environments, libraries and schools.

Type: \_\_\_\_\_

Project: \_\_\_\_\_

**CONFIGURE:**

a	b	c	d	e	f	g	h
MODEL	OPERATION	LAMP	INPUT	LOUVER	DIFFUSER	FINISH	OPTIONS
<b>BS600T5HO</b> MIRA BS600 T5HO SERIES	<b>HT</b> AC only	<b>154W</b> 1x54W T5HO  <i>NOTE: lamp not included</i>	<b>120V</b> <b>277V</b> <b>120/277V</b> <b>347V</b>	<b>MF</b> mirror finish <b>SF</b> satin finish	<b>PF</b> perforated <b>OA</b> opaline acrylic	<b>MG</b> metallic grey <b>DG</b> dark grey	<b>FP</b> inline fuse protection <b>PK</b> rigid pendant kit: 18", 24", 36" & 48" <b>AC</b> aviation cable: 50", 72", 100", 150" & 250" <b>SPCW</b> spiral cord white <b>SPCB</b> spiral cord black  <i>NOTE: (AC &amp; PK) length to be specified, i.e. PK24 or AC100</i>
MODEL a	OPERATION b	LAMP c	INPUT d	LOUVER e	DIFFUSER f	FINISH g	OPTIONS h
BS600T5HO							

**HOUSING:** One piece formed steel construction. Color matched integrated polycarbonate end caps. Perforated linear wings.

**REFLECTOR:** Single high polish aluminum reflector.

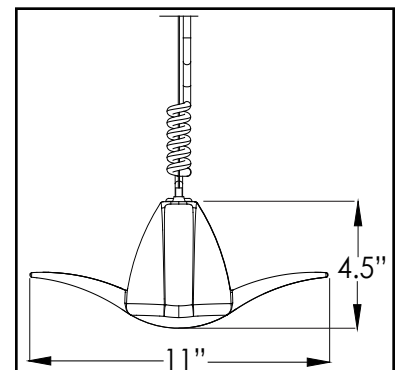
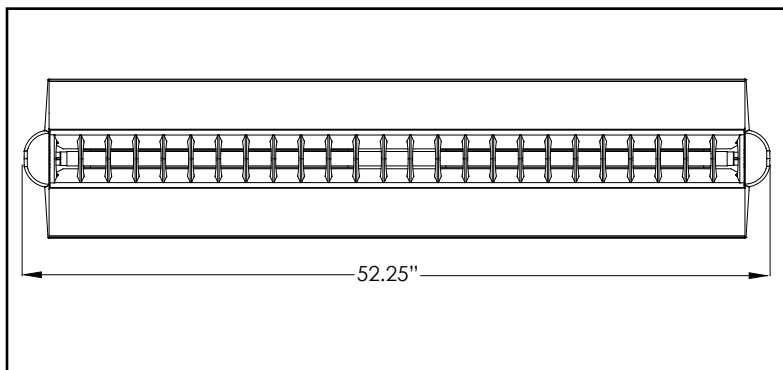
**LOUVER:** Aluminum multi cell louver available in (MF) mirror finish or (SF) satin finish. Louver held in place by four (4) perimeter pressure clips.

**DIFFUSER:** (PF) aluminum perforated diffuser or (OA) opaline acrylic translucent diffuser offered.

**LAMP/SOCKET:** Two (2) T5 ratchet type sockets with T5 Beghelli adaptor extenders.

**MOUNTING:** 50" fully adjustable suspension aviation cable mount as standard. Optional (PK) pendant mounting is available. Required mounting height to be specified.

**POWER LINE/FEED:** 3-wire, solid type 18awg, pre-stripped 12" leads for quick in-field connection.





**MIRA + PHOTOMETRICS**

**PHOTOMETRIC DATA:**

**Configuration:** **BS600T5HO-HT-154W-120/277V-MF-PF-MG**  
**Initial Lamp Lumens:** 4450  
**Luminaire Efficiency:** 64.4%

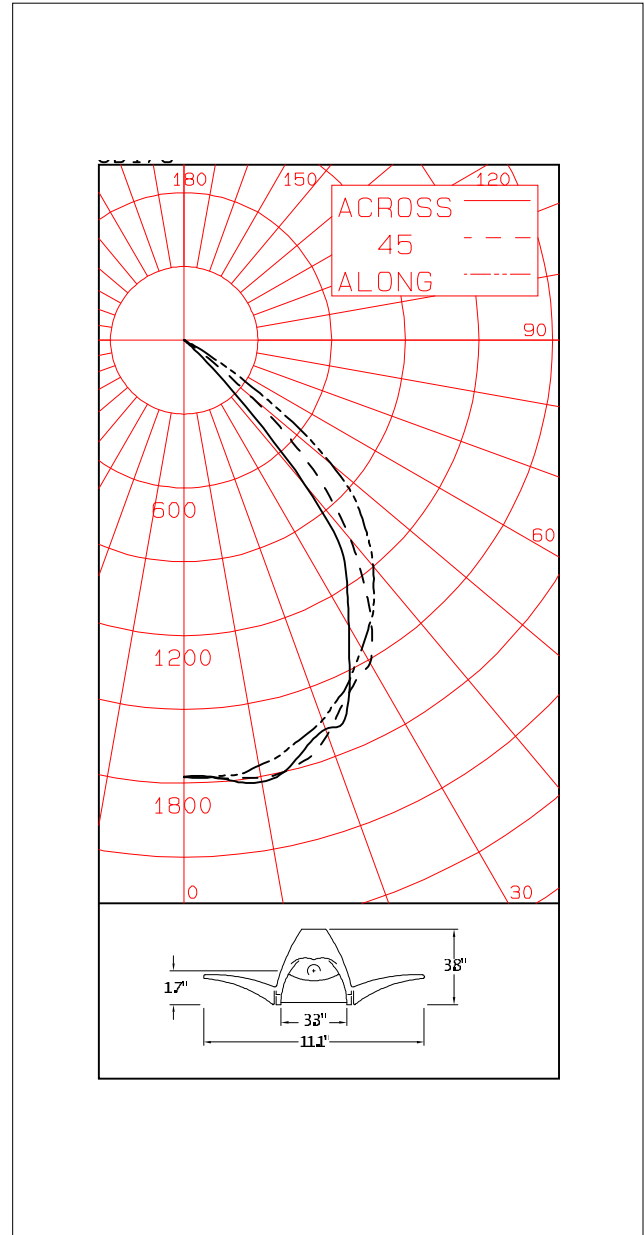
**CANDLE POWER SUMMARY**

ANGLE	ALONG	22.5	45	67.5	ACROSS	OUTPUT LUMENS
0	1775	1775	1775	1775	1775	
5	1776	1772	1788	1797	1787	174
10	1754	1761	1804	1829	1823	174
15	1703	1727	1786	1797	1763	494
20	1644	1674	1705	1691	1682	494
25	1558	1593	1584	1648	1589	728
30	1447	1480	1513	1402	1341	728
35	1342	1343	1312	1196	1149	785
40	1198	1189	1052	903	761	785
45	1026	999	742	357	197	524
50	778	684	361	52	8	524
55	376	343	62	7	3	151
60	79	95	8	0	3	151
65	6	5	0	2	0	8
70	0	0	0	0	0	0
75	0	0	0	0	0	0
80	0	0	0	0	0	0
85	0	0	0	0	0	0
90	0	0	0	0	0	0

ZONE	LUMENS	% LAMP	% LUMINAIRE
0-30	1395	31.37	48.74
0-40	2180	49.01	76.16
0-60	2855	64.17	99.72
0-90	2855	64.17	99.72
40-90	2863	64.35	100.00
60-90	682	15.34	23.84
90-180	7	.18	.28
0-180	2863	64.35	100.00

**LUMINANCE SUMMARY**

Angle°	ALONG	45	ACROSS
45°	15460	11219	2974
55°	6973	1151	64
65°	161	0	9
75°	0	0	0
85°	0	0	0



Please visit [www.beghelliLUCE.com](http://www.beghelliLUCE.com) to download additional photometry pdfs and IES files.