

SCB2L

COMPACT FLUORESCENT



Suspended Luminaire

Application: The SCARAB SCB2L two lamp compact fluorescent stands alone in design and performance. It provides both direct and indirect illumination, diffused by translucent acrylic lenses. The SCB2L is available in a choice of three powder coat finishes: white, dark grey and metallic grey. The SCARAB SCB2L uses a four (4) cable installation system. Ideal for offices, reception areas, corridors, boutiques, lobbies, staircases and restaurants.

Type: _____

Project: _____

CONFIGURE:

a	b	c	d	e
MODEL	OPERATION	LAMPS	INPUT	FINISH
SCB2L SCARAB SCB2L SERIES	HT <i>AC only</i>	255W <i>2x55W CF</i>	120V 277V 120/277V 347V	WT <i>white (RAL9003)</i> MG <i>metallic grey (RAL9006)</i> DG <i>dark grey (RAL7016)</i>
MODEL a	OPERATION b	LAMPS c	INPUT d	FINISH e
SCB2L				

HOUSING: Durable formed steel. Powder coat available in white (WT RAL9003), dark grey (DG RAL7016) and metallic grey (MG RAL9006) finishes.

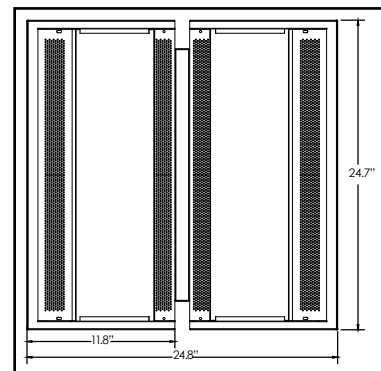
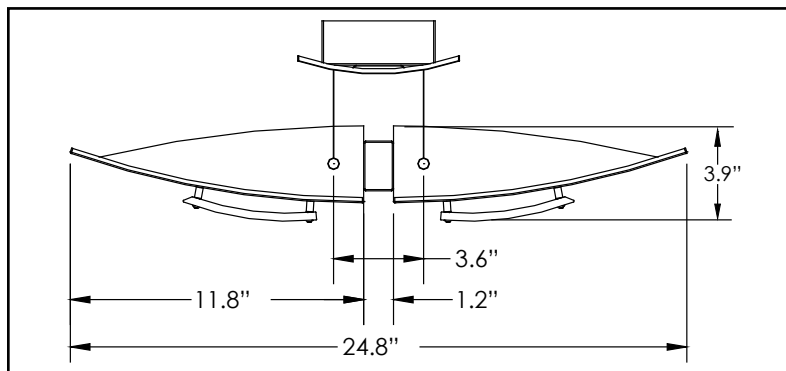
LAMP/SOCKET: Standard lamps included as 55W compact fluorescent, 4100K. Two (2) bi-x type sockets with integrated safety clips.

POWER LINE/FEED: 3-wire, solid type 18awg, pre-stripped 12" leads for quick in-field connection.

INDIRECT DIFFUSER: Two (2) clear acrylic diffusers allow unfiltered indirect illumination

MOUNTING: Suspension mount configuration is standard. Four 40" fully adjustable aviation cables. Mounting height to be adjusted on site.

DIRECT DIFFUSER: Two (2) translucent 8mm thick acrylic diffusers allow filtered direct illumination.





Suspended Luminaire

Application: The SCARAB SCB4L four lamp compact fluorescent is unique in design, performance and energy savings. It provides both direct and indirect illumination, diffused by translucent acrylic lenses. The SCB4L is available in a choice of three powder coat finishes: white, dark grey and metallic grey. The SCARAB SCB4L uses a four (4) cable installation system. Ideal for offices, reception areas, corridors, boutiques, lobbies, staircases and restaurants.

Type: _____

Project: _____

CONFIGURE:

a	b	c	d	e	f
MODEL	OPERATION	LAMPS	INPUT	FINISH	OPTIONS
SCB4L SCARAB SCB4L SERIES	HT <i>AC only</i>	455W <i>4x55W CF</i>	120V 277V 120/277V 347V	WT <i>white (RAL9003)</i> DG <i>dark grey (RAL7016)</i> MG <i>metallic grey (RAL9006)</i>	2CK <i>two level switching</i>
MODEL a SCB4L	OPERATION b	LAMPS c	INPUT d	FINISH e	OPTIONS f

HOUSING: Durable formed steel. Powder coat available in white (WT RAL9003), dark grey (DG RAL7016) and metallic grey (MG RAL9006) finishes.

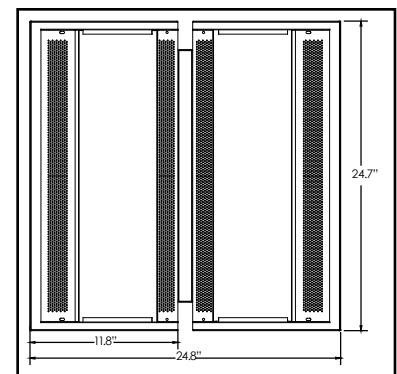
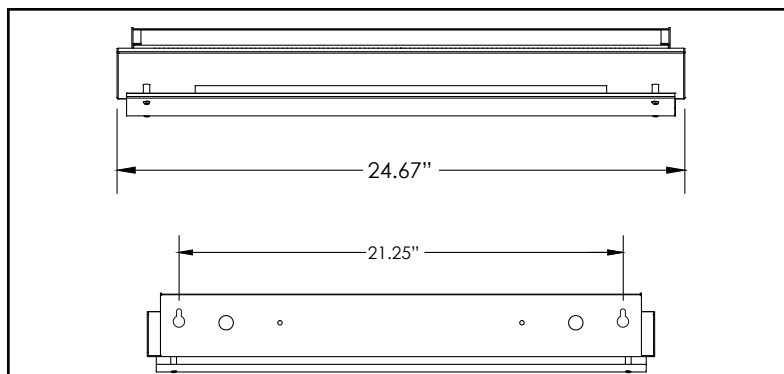
LAMP/SOCKET: Standard lamps included as 55W compact fluorescent, 4100K. Four (4) biax type sockets with integrated safety clips.

POWER LINE/FEED: 3-wire, solid type 18awg, pre-stripped 12" leads for quick in-field connection.

INDIRECT DIFFUSER: Two (2) clear acrylic diffusers allow unfiltered indirect illumination

MOUNTING: Suspension mount configuration is standard. Four 40" fully adjustable aviation cables. Mounting height to be adjusted on site.

DIRECT DIFFUSER: Two (2) translucent 8mm thick acrylic diffusers allow filtered direct illumination.



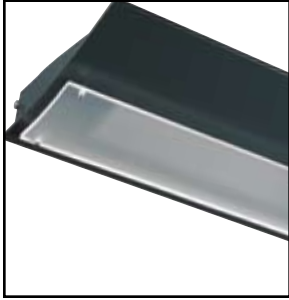
SCARAB

SCBWS

COMPACT FLUORESCENT



1 or 2 Lamp



Surface Luminaire

Application: The SCARAB SCBWS wall sconce has been designed as a wall sconce that provides both direct and indirect illumination, diffused by translucent acrylic lenses. The SCARAB SCBWS is available in a choice of three powder coat finishes: white, dark grey and metallic grey. The SCARAB SCBWS uses a direct to wall surface installation system. Ideal for offices, reception areas, corridors, conference rooms, lobbies and restaurants.

Type: _____

Project: _____

CONFIGURE:

a MODEL	b OPERATION	c LAMPS	d INPUT	e FINISH
SCBWS SCARAB SCBWS SERIES	HT <i>AC only</i>	155W <i>1x55W CF</i> 255W <i>2x55W CF</i>	120V 277V 120/277V 347V	WT <i>white (RAL9003)</i> DG <i>dark grey (RAL7016)</i> MG <i>metallic grey (RAL9006)</i>
MODEL a SCBWS	OPERATION b	LAMPS c	INPUT d	FINISH e

HOUSING: Durable formed steel. Powder coat available in white (WT RAL9003), dark grey (DG RAL7016) and metallic grey (MG RAL9006) finishes.

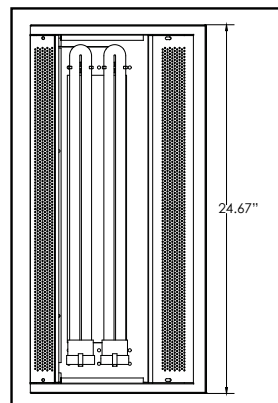
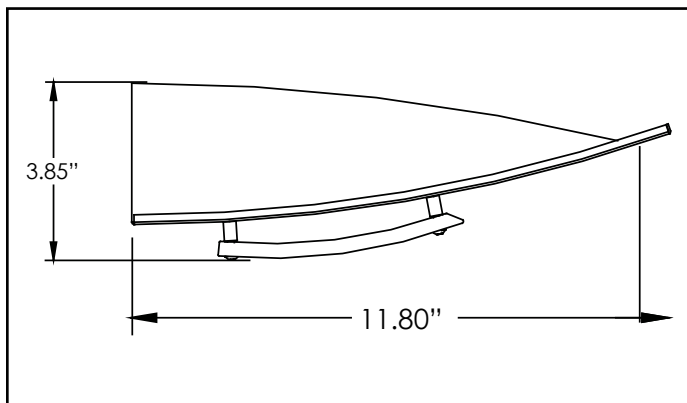
LAMP/SOCKET: Standard lamps included as 55W compact fluorescent, 4100K. One (1) or two (2) bi-x type sockets with integrated safety clips.

INDIRECT DIFFUSER: One (1) clear acrylic diffuser allows unfiltered indirect illumination

MOUNTING: Surface wall mount configuration. Direct to wall interface for secure installation.

DIRECT DIFFUSER: One (1) translucent 8mm thick acrylic diffuser allows filtered direct illumination.

POWER LINE/FEED: 3-wire, solid type 18awg, pre-stripped 12" leads for quick in-field connection.





SCARAB + PHOTOMETRICS

PHOTOMETRIC DATA:

Configuration: SCB4L-HT-455W-120/277V-WT
Initial Lamp Lumens: 4800
Luminaire Efficiency: 57.5%

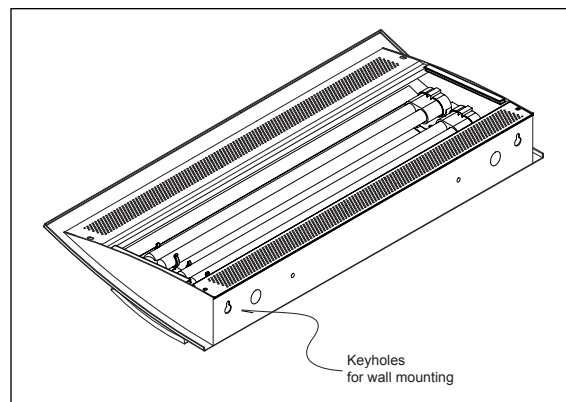
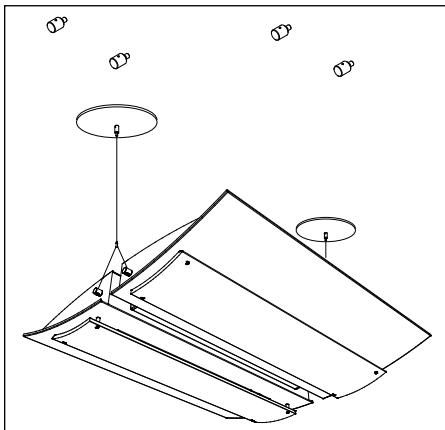
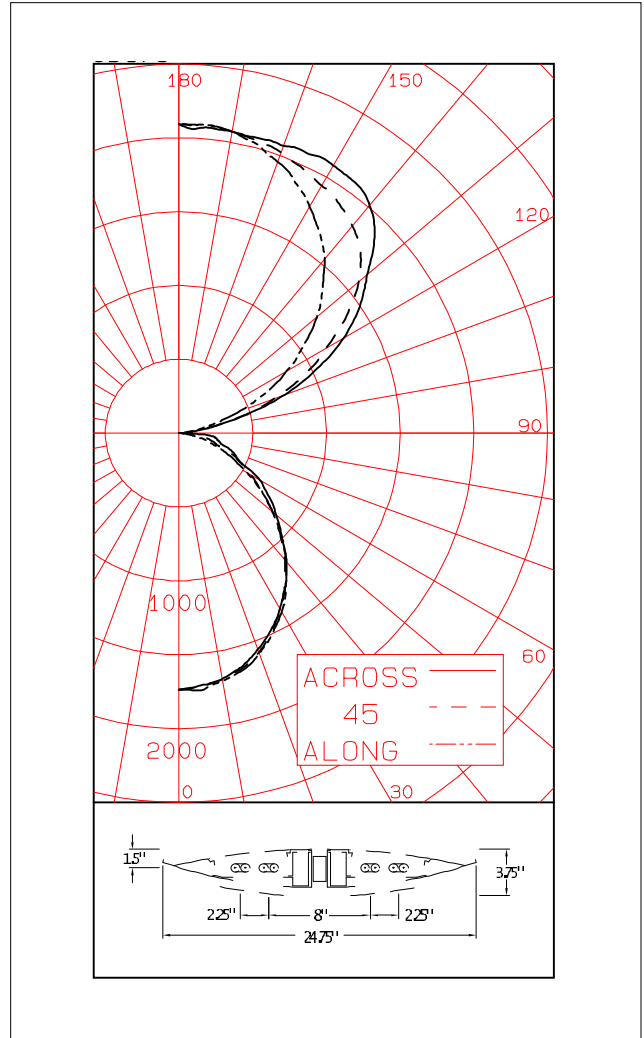
CANDLE POWER SUMMARY

ANGLE	ALONG	22.5	45	67.5	ACROSS	OUTPUT LUMENS
0	1736	1736	1736	1736	1736	
5	1746	1734	1722	1722	1714	166
15	1663	1664	1650	1637	1639	464
25	1497	1498	1483	1476	1473	682
35	1265	1258	1253	1248	1262	783
45	982	980	972	974	985	752
55	682	672	678	721	741	625
65	400	407	450	460	457	441
75	185	208	249	292	309	267
85	31	63	130	195	224	132
90	4	20	56	66	76	
95	19	28	50	60	68	77
105	247	355	437	463	450	426
115	646	805	939	1018	1033	889
125	1027	1191	1388	1459	1497	1183
135	1376	1495	1742	1852	1877	1288
145	1662	1727	1895	2029	2077	1175
155	1873	1904	1983	2055	2087	914
165	2030	2040	2050	2065	2069	579
175	2098	2097	20091	2073	2079	202
180	2094	2094	2094	2094	2094	

ZONE	LUMENS	% LAMP	% LUMINAIRE
0-30	1311	6.83	11.87
0-40	2094	10.91	18.96
0-60	3471	18.08	31.43
0-90	4312	22.46	39.04
40-90	2217	11.55	20.08
60-90	840	4.38	7.61
90-180	6733	35.07	60.96
0-180	11046	57.53	100.00

LUMINANCE SUMMARY

Angle°	ALONG	45	ACROSS
45°	8078	7632	7750
55°	6801	6324	6934
65°	5261	5378	5475
75°	3752	4306	5385
85°	1480	4338	7573



Please visit www.beghelliLUCE.com to download additional photometry pdfs and IES files.